



# P7 AdvancedMC<sup>®</sup> Inject / Eject Mechanism

## Module handle & light pipe bracket panel preparation

- Die-cast construction for robust performance
- Handle operation controls hot swap activation
- Handle retention feature prevents accidental operation
- For use with Carriers supporting 4 Full-size AMC Modules

### Material and Finish

Handle: Zinc alloy, black chrome  
 Lever: Zinc alloy, bright chromate  
 Pivot screw, Drag spring: Steel, zinc plated  
 Shoulder screw, U-bent washer: Stainless steel, passivated

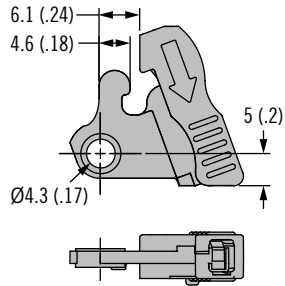
### Performance Details

Flammability rating: UL94-V0

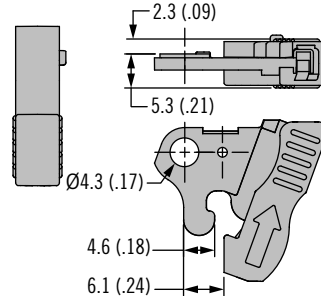
### Installation Notes

See page 492

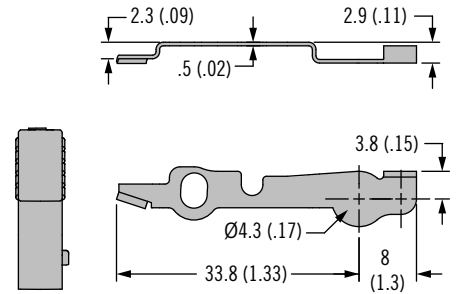
### Upper Handle Assembly



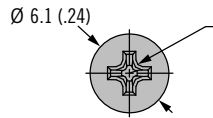
### Lower Handle Assembly



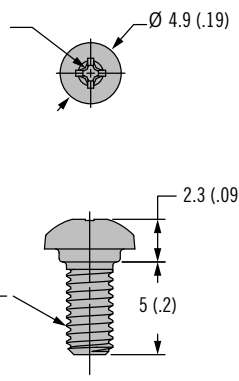
### Switch Arm



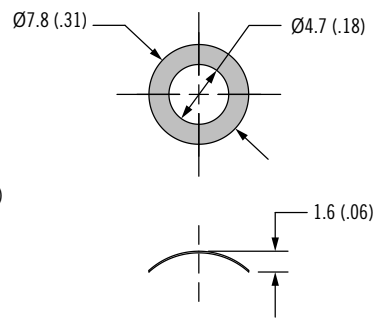
### Pivot Screw (2 supplied)



### Shoulder Screw (supplied)



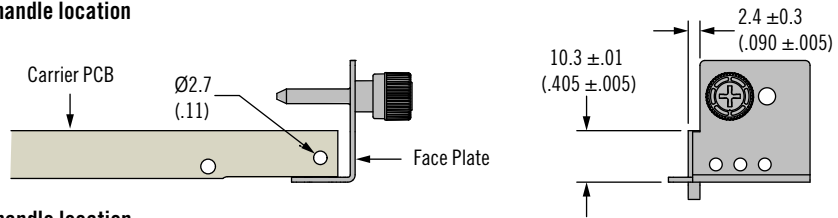
### U-Bent Washer (2 supplied)



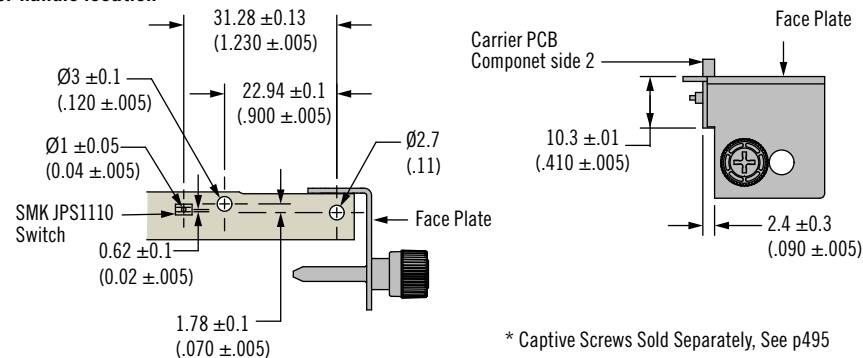
Part Number
P7-C-701
Part Number includes Upper and Lower Handle Assemblies, Switch Arm, Pivot Screws, Shoulder Screw and U-Bent Washers as shown

### Panel Preparation

#### Upper handle location



#### Lower handle location



\* Captive Screws Sold Separately, See p495

To request a quote, please email [releases@dbroberts.com](mailto:releases@dbroberts.com), or call us at 800-773-5388.

AdvancedMC is a registered trademark of PICMG<sup>®</sup> - PCI Industrial Computer Manufacturers Group, Inc.

Other options available. For complete details on variety, part numbers, installation and specification, go to



[www.southco.com/P7](http://www.southco.com/P7)

Dimensions in millimeters (inch) unless otherwise stated

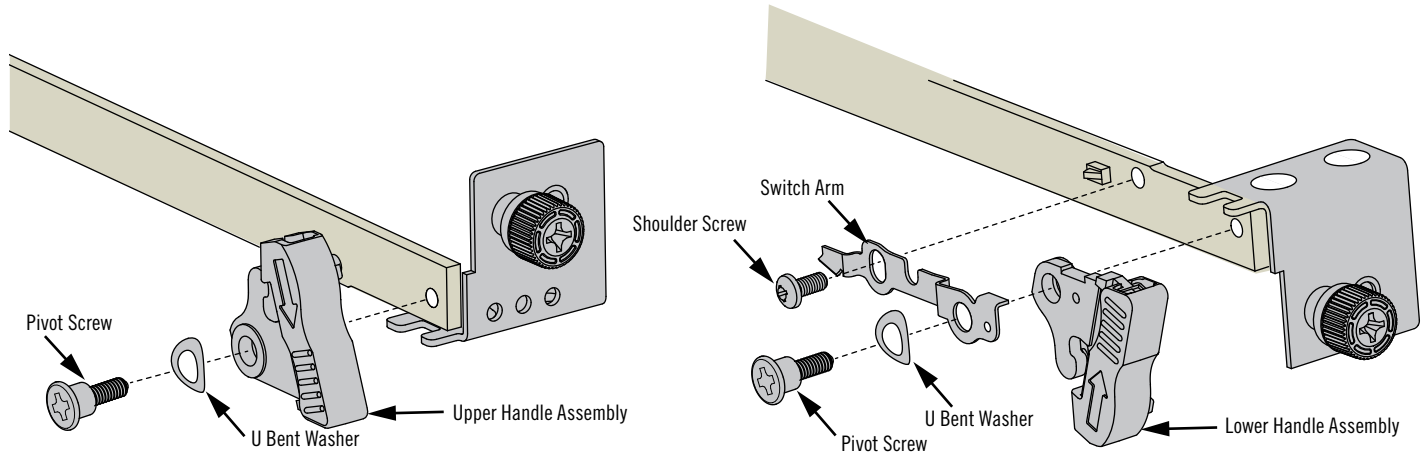


# P7 AdvancedMC<sup>®</sup> Inject / Eject Mechanism

## Installation and operation

501B

### Installation

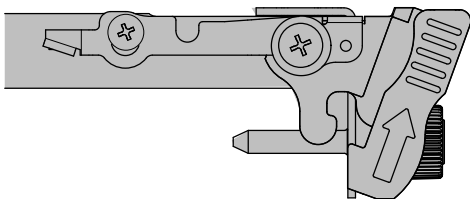


Tap M2.5 Threads into Carrier (not shown) to accept Pivot Screw and Shoulder Screw

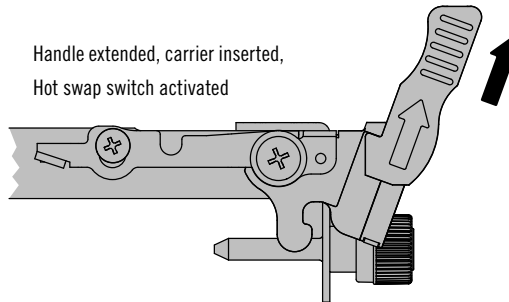
Tighten screws to 45-60N-cm

### Operation

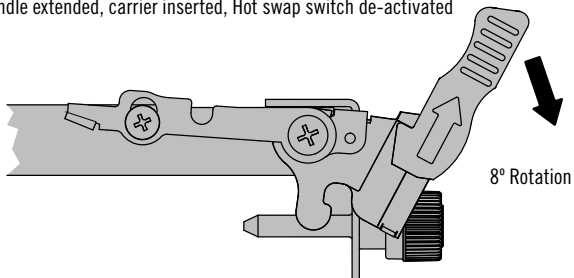
Handle stowed, carrier inserted, Hot swap switch activated



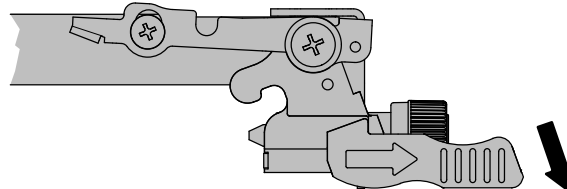
Handle extended, carrier inserted, Hot swap switch activated



Handle extended, carrier inserted, Hot swap switch de-activated

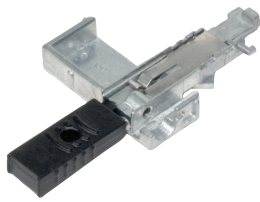


Handle extended, carrier extracted, Hot swap switch de-activated



To request a quote, please email [releases@dbroberts.com](mailto:releases@dbroberts.com), or call us at 800-773-5388.

AdvancedMC is a registered trademark of PICMG<sup>®</sup> - PCI Industrial Computer Manufacturers Group, Inc.



# P7 AdvancedMC<sup>®</sup> Inject / Eject Mechanism

## Pull module handle

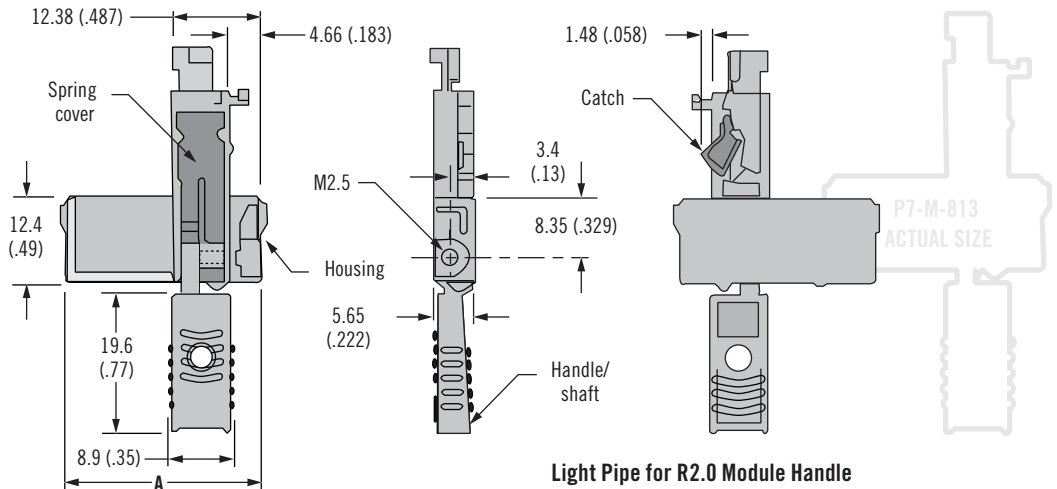
- Die-cast construction for robust performance
- Positive detent at three distinct positions
- Fits all current microswitch locations
- Custom colors available

### Material and Finish

Handle/shaft, housing and catch:  
Zinc alloy, bright chromate

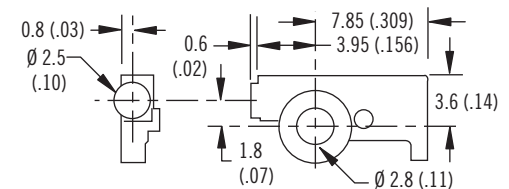
### Notes

\*Order light pipes separately



Light Pipe for R2.0 Module Handle

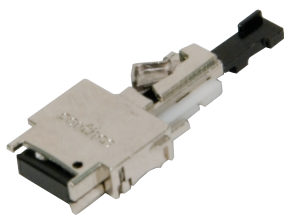
Part Number		Handle Size	A
Module handle	R2.0 Light pipe*		
P7-M-811-000	P7-10-812	Compact 3HP	12.50 (.492)
P7-M-812-000	P7-10-812	Mid size 4HP	17.55 (.691)
P7-M-813-000	P7-10-812	Full size 6HP	27.55 (1.085)



Other options available. For complete details on variety, part numbers, installation and specification, go to



[www.southco.com/P7](http://www.southco.com/P7)



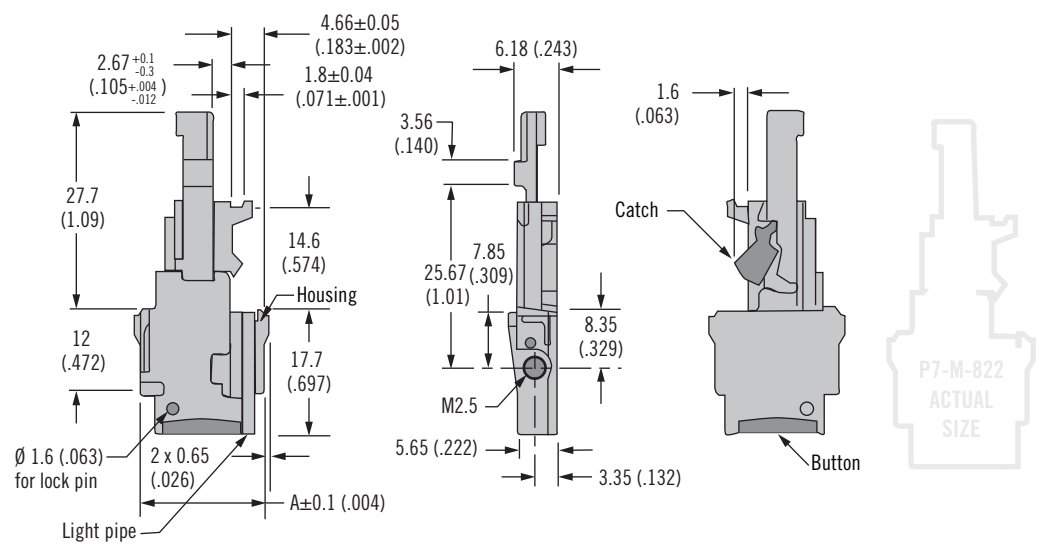
# P7 AdvancedMC<sup>®</sup> Inject / Eject Mechanism

## Flush module handle

- Flush button prevents snagging of handle
- Flush button allows for better aesthetics
- Locking pin feature

### Material and Finish

Handle/shaft: Zinc alloy, black epoxy coat  
Housing, cover and catch: Zinc alloy, bright nickel plate  
Light pipe: Polycarbonate clear  
AdvancedMC is a registered trademark of PICMG<sup>®</sup> - PCI Industrial Computer Manufacturers Group, Inc.



Part Number	Handle Size	A
P7-M-822	Mid size 4HP	17.55 (.691)
P7-M-823	Full size 6HP	27.55 (1.085)

Dimensions in millimeters (inch) unless otherwise stated

To request a quote, please email [releases@dbroberts.com](mailto:releases@dbroberts.com), or call us at 800-773-5388.

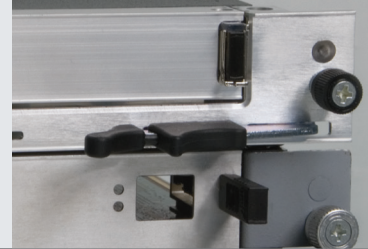


Other options available. For complete details on variety, part numbers, installation and specification, go to

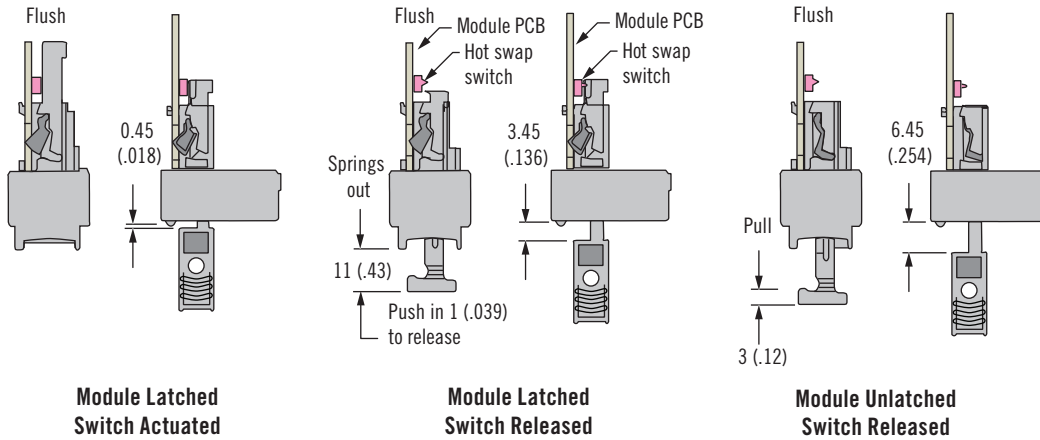


[www.southco.com/P7](http://www.southco.com/P7)

# P7 AdvancedMC<sup>®</sup> Inject / Eject Mechanism Operation



## Operation

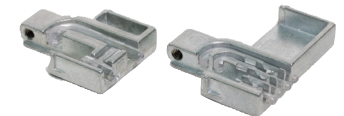


Other options available. For complete details on variety, part numbers, installation and specification, go to

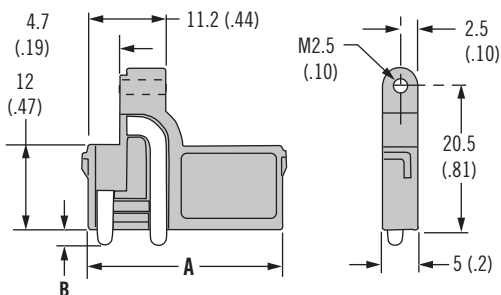


[www.southco.com/P7](http://www.southco.com/P7)

## P7 AdvancedMC<sup>®</sup> Light Pipe Bracket



### R2.0



Part Number	Bracket Size	A	B
P7-L-811	Compact	12.50 (.492)	2.1 (.08)
P7-L-812	Mid size	17.55 (.691)	
P7-L-813	Full size	27.55 (1.085)	0.3 (.012)
P7-L-811-11	Compact flush	12.50 (.492)	
P7-L-812-11	Mid size flush	17.55 (.691)	
P7-L-813-11	Full size flush	27.55 (1.085)	

- Easily snaps into faceplate
- Bracket includes light pipe and housing
- Compatibility with all standard Advanced MC<sup>®</sup> faceplates

### Material and Finish

Light pipe housing: Zinc alloy, bright chromate  
Light pipe: Polycarbonate, clear

### Notes

For R1.0 light pipe bracket go to [www.southco.com](http://www.southco.com)

To request a quote, please email [releases@dbroberts.com](mailto:releases@dbroberts.com), or call us at 800-773-5388.



AdvancedMC is a registered trademark of PICMG<sup>®</sup> - PCI Industrial Computer Manufacturers Group, Inc.

Dimensions in millimeters (inch) unless otherwise stated

Other options available. For complete details on variety, part numbers, installation and specification, go to



[www.southco.com/P7](http://www.southco.com/P7)

# P7 AdvancedMC<sup>®</sup> Inject / Eject Mechanism

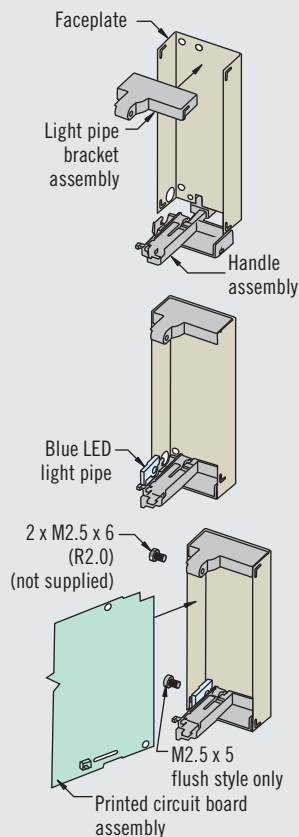
## Module handle & light pipe bracket panel preparation

### Installation Notes

1. Snap handle assembly and light pipe bracket into faceplate.
2. For R2.0, position blue LED light pipe into handle assembly and faceplate. Light pipe should be positioned against outside wall of handle assembly.
3. Slide PCB in place and secure with screws. Blue LED light pipe is located on component side 2 of the PCB.

### Notes

All panel preparation tolerances  $\pm 0.1$  (.004)



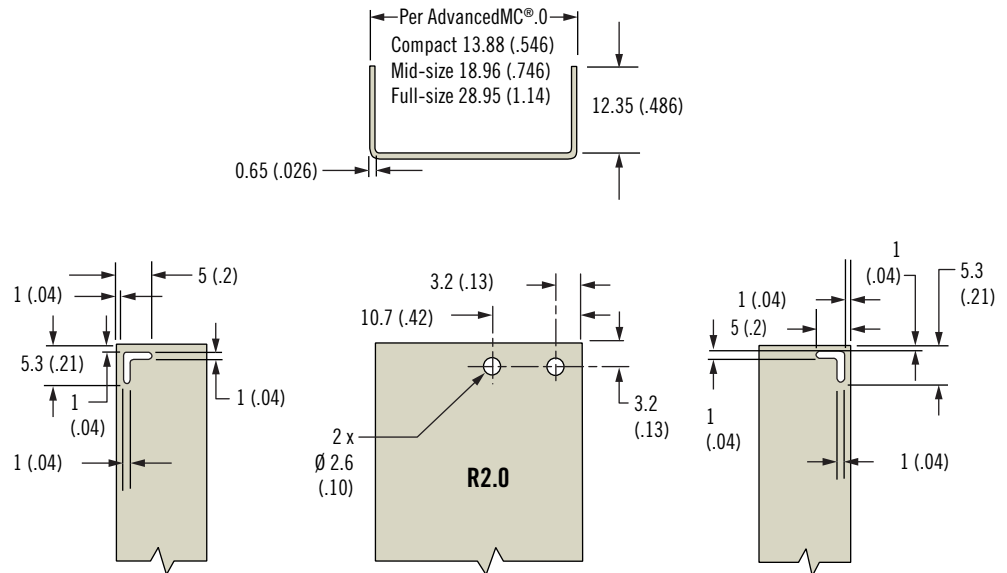
AdvancedMC is a registered trademark of PICMG<sup>®</sup> - PCI Industrial Computer Manufacturers Group, Inc.

Other options available. For complete details on variety, part numbers, installation and specification, go to

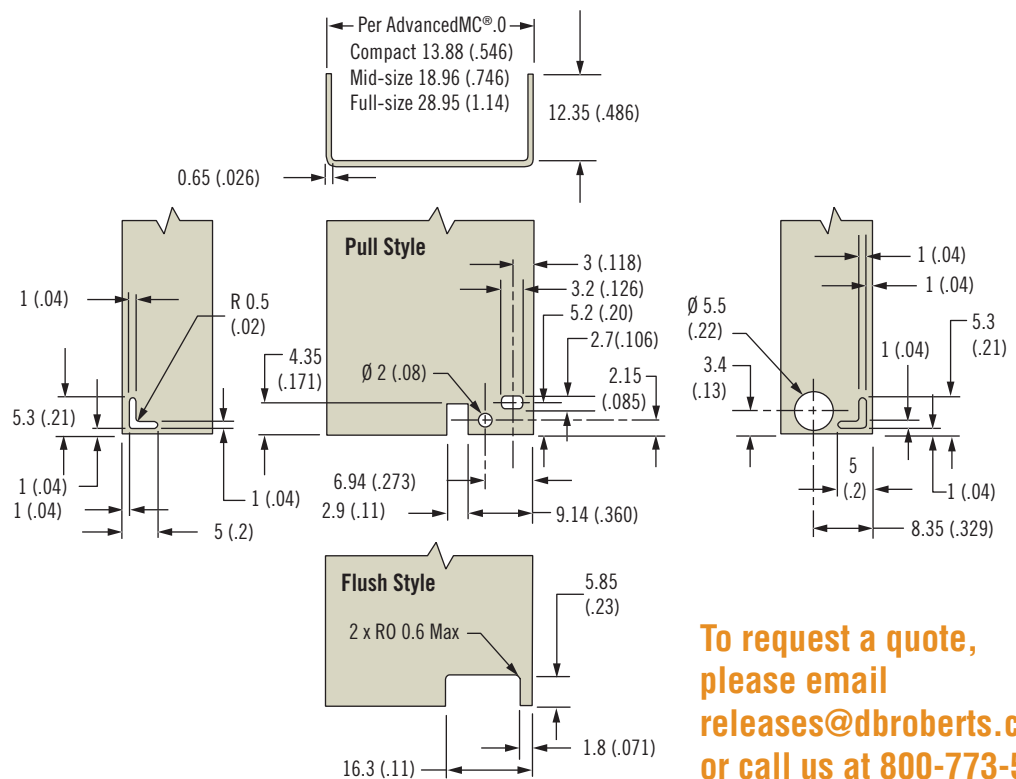


[www.southco.com/P7](http://www.southco.com/P7)

### Panel Preparation Light Pipe Brackets



### Panel Preparation Module Handles

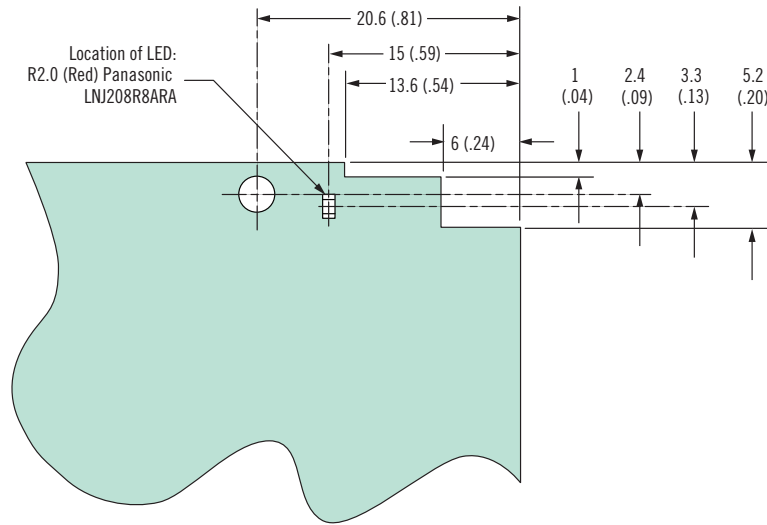


To request a quote, please email [releases@dbroberts.com](mailto:releases@dbroberts.com), or call us at 800-773-5388.

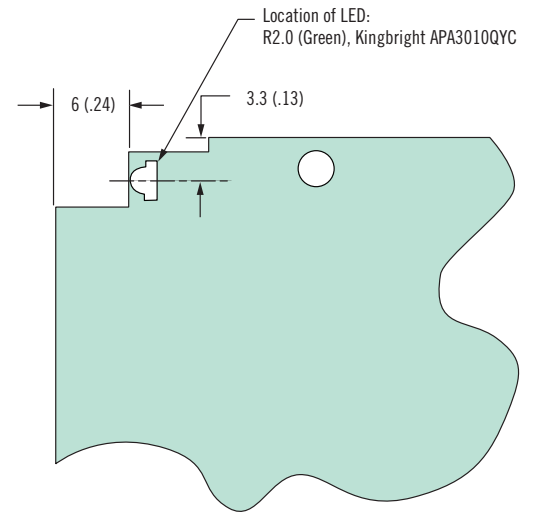
Dimensions in millimeters (inch) unless otherwise stated

### PCB Preparation

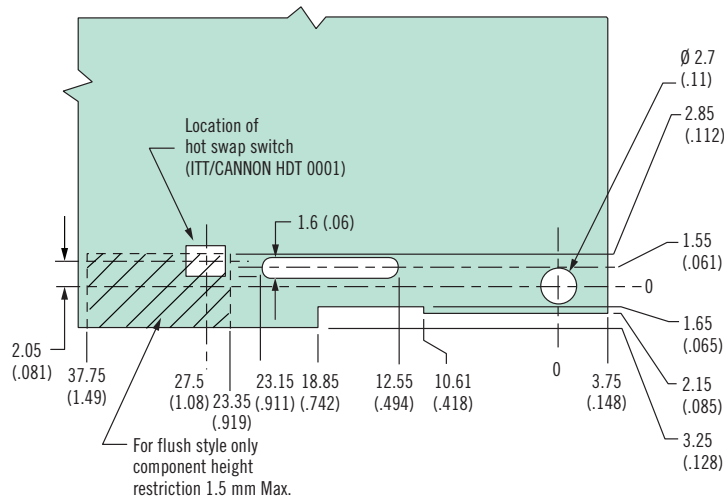
Printed Circuit Board Component Side 1



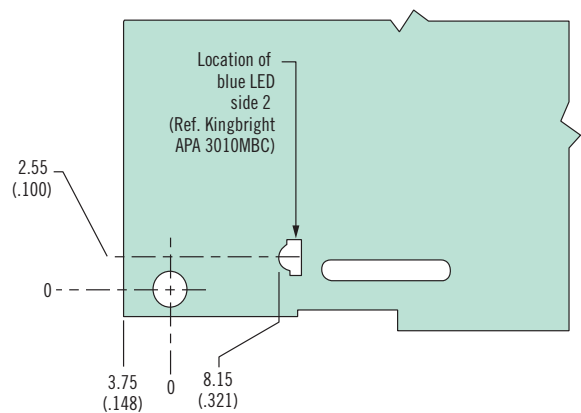
Printed Circuit Board Component Side 2



Printed Circuit Board Component Side 1



Printed Circuit Board Component Side 2



To request a quote, please email [releases@dbroberts.com](mailto:releases@dbroberts.com), or call us at 800-773-5388.