

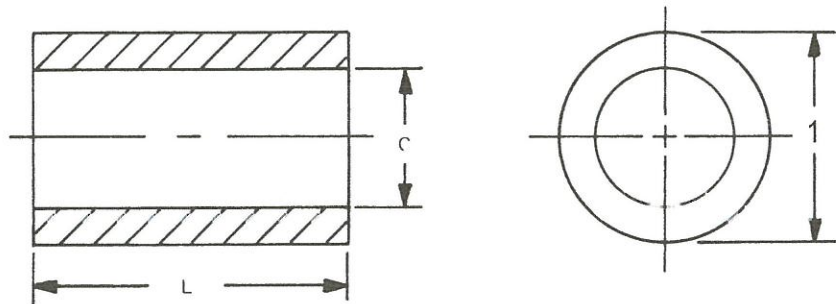


RAF ELECTRONIC
HARDWARE

RAF Large Diameter Clear Hole Spacers

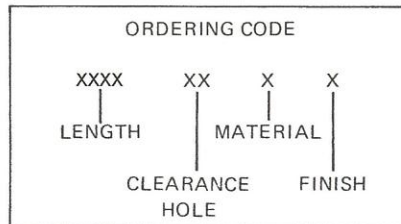
MW Industries, Inc.

1 INCH ROUND SPACERS



LENGTH	PART NO.
3/8	9000
7/16	9001
1/2	9002
9/16	9003
5/8	9004
11/16	9005
3/4	9006
13/16	9007
7/8	9008
15/16	9009
1	9010
1-1/16	9011
1-1/8	9012
1-3/16	9013
1-1/4	9014
1-5/16	9015
1-3/8	9016
1-7/16	9017
1-1/2	9018
1-9/16	9019
1-5/8	9020
1 11/16	9021
1-3/4	9022
1-13/16	9023
1-7/8	9024
1-15/16	9025
2	9026

See page 9 for finish codes
For non-standard parts contact Sales Office



HOLE CLEARANCE CODE	
+.010	CODE
-.000	
0.505	50
0.625	62

MATERIAL	CODE	RoHS
Aluminum	AL	YES
Brass	B	YES
Stainless Steel	SS	YES
Steel	S	YES
Nylon	N	YES

**To request a quote, please email
releases@dbroberts.com,
or call us at 800-773-5388.**

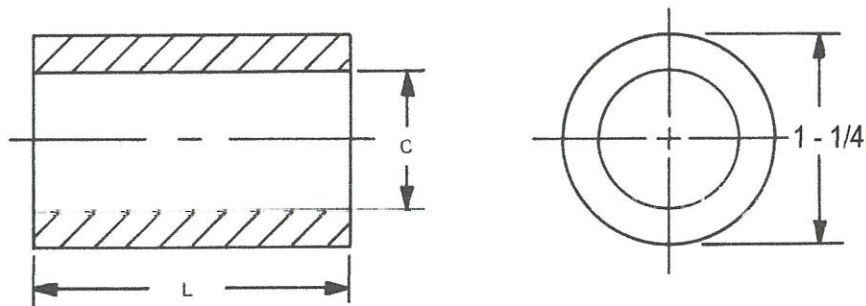


RAF ELECTRONIC
HARDWARE

RAF Large Diameter Clear Hole Spacers

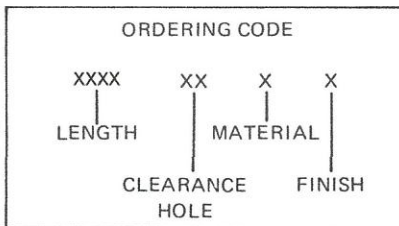
MW Industries, Inc.

1 - 1/4 INCH ROUND SPACERS



LENGTH	PART NO.
3/8	9050
7/16	9051
1/2	9052
9/16	9053
5/8	9054
11/16	9055
3/4	9056
13/16	9057
7/8	9058
15/16	9059
1	9060
1-1/16	9061
1-1/8	9062
1-3/16	9063
1-1/4	9064
1-5/16	9065
1-3/8	9066
1-7/16	9067
1-1/2	9068
1-9/16	9069
1 5/8	9070
1-11/16	9071
1-3/4	9072
1-13/16	9073
1-7/8	9074
1-15/16	9075
2	9076

See page 9 for finish codes
For non-standard parts contact Sales Office



HOLE CLEARANCE CODE		
+ .010	CODE	
- .000		
0.750		75
1.000		100

MATERIAL	CODE	RoHS
Aluminum	AL	YES
Brass	B	YES
Stainless Steel	SS	YES
Steel	S	YES
Nylon	N	YES

**To request a quote, please email
releases@dbroberts.com,
or call us at 800-773-5388.**

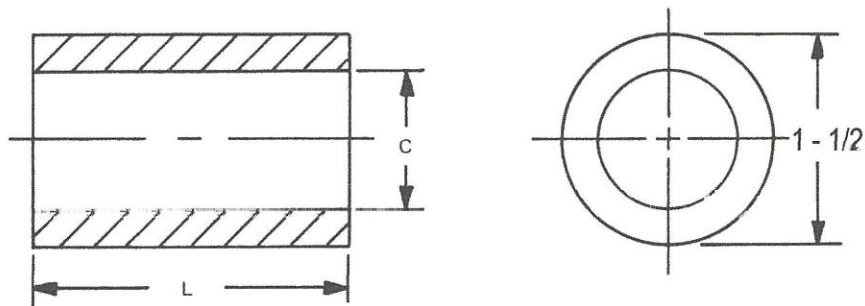


RAF ELECTRONIC
HARDWARE

RAF Large Diameter Clear Hole Spacers

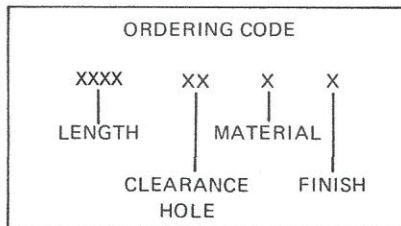
MW Industries, Inc.

1 - 1/2 INCH ROUND SPACERS



LENGTH	PART NO.
3/8	9100
7/16	9101
1/2	9102
9/16	9103
5/8	9104
11/16	9105
3/4	9106
13/16	9107
7/8	9108
15/16	9109
1	9110
1-1/16	9111
1-1/8	9112
1-3/16	9113
1-1/4	9114
1-5/16	9115
1-3/8	9116
1-7/16	9117
1-1/2	9118
1-9/16	9119
1-5/8	9120
1 11/16	9121
1-3/4	9122
1-13/16	9123
1-7/8	9124
1-15/16	9125
2	9126

See page 9 for finish codes
For non-standard parts contact Sales Office



HOLE CLEARANCE CODE	
+	CODE
.010	
-.000	
0.750	75
1.000	100

MATERIAL	CODE	RoHS
Aluminum	AL	YES
Brass	B	YES
Stainless Steel	SS	YES
Steel	S	YES
Nylon	N	YES

**To request a quote, please email
releases@dbroberts.com,
or call us at 800-773-5388.**