



ARaymond TINNERMAN

MORE THAN FASTENING

Plastic Push-Rivets ****New****

ARaymond Tinnerman Industrial's (ARTI) two-piece plastic push-rivets offer an alternative to metal rivets, where special tooling is not permissible and where threaded fasteners are not a viable option. No tools are required for assembly, making these fasteners quick and easy to install.

ARTI's plastic rivets work like metal rivets. The button or plunger gets pushed into the center of the dart shaped pin, causing the legs to expand behind the mating panel, providing an uncharacteristically strong joint for a plastic fastener.

These fasteners can accommodate multiple materials and panel dimensions and are used in numerous applications including appliances, children's products, furniture, electronics and point of purchase displays.

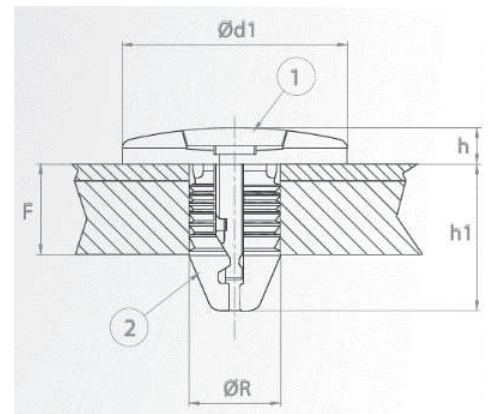
ARaymond Tinnerman Industrial, a division of the ARaymond Network, engineers and manufactures fasteners that provide a reliable means of attaching panels and components to improve quality and reduce assembly cost. Focused on innovation, technology, quality and collaboration, ARaymond has been able to remain a successful, global fastener manufacturer since its inception in 1865.



Plastic Push-Rivets Preferred Product List

Part Number	Panel Range Max/Min (F)	Hole Diameter Max/Min (R)	Height (h1)	Head Diameter (d1)	Head Height (h)
207926	4.50/4.50	15.00/15.00	13.70	22.00	4.50
017489	4.60/4.60	12.00/12.00	10.00	18.00	6.00
020074	5.00/4.50	10.00/10.00	11.50	17.80	5.00
018610	7.00/0.80	8.80/7.80	13.00	15.50	4.50
018795	8.00/3.00	5.10/4.60	11.50	15.00	3.00
015269	8.50/2.50	7.00/7.00	17.00	15.00	6.00
013011	7.00/4.00	8.70/7.90	12.00	16.00	2.00
201793	7.50/2.00	8.30/8.10	13.00	20.50	3.00
202493	10.00/3.00	6.50/6.50	14.00	22.00	2.60

All Dimensions in Metric



To request a quote,
please email releases@dbroberts.com,
or call us at 800-773-5388.





ARaymond TINNERMAN

MORE THAN FASTENING

© ARaymond Tinnerman Industrial

* "ARaymond Tinnerman Industrial" refers, in this flyer, to ARaymondTinnerman Industrial, 1060 W. 130th Street, Brunswick, OH, USA, which is an independent company of ARaymond Network and is the editor of this flyer and is responsible for this flyer (hereinafter referred to as "ARaymond Tinnerman Industrial"). "Flyer" means the information and any materials available in this flyer including, without any limitation, products, pictures, product descriptions etc. ARaymond™ is used as a trademark. This flyer does not constitute an offer or an agreement of any kind. This flyer does not constitute a technical note. The flyer is provided «as is» and only for evaluation purpose. This is a marketing material only. In the event that you would be interested in one of the products in this flyer, please send a request for quotation to ARaymond Tinnerman Industrial. ARaymond Tinnerman Industrial will then send an official offer with the applicable terms and conditions. Only the ARaymond Tinnerman Industrial offer and terms and conditions attached to this offer will be legally binding. ARaymond Tinnerman Industrial makes no warranty or representation whatsoever regarding the flyer, its use or its suitability to meet specific needs. ARaymond Tinnerman Industrial disclaims all warranties, express or implied, including but not limited to to the accuracy, reliability, novelty, completeness, merchantability or fitness for any particular purpose of the flyer, nor that will its use not infringe on any third party's rights. ARaymond Tinnerman Industrial is not liable for any incidental, consequential or special damages of any kind due to the use of the flyer.

ARaymond Tinnerman Industrial, Inc.
1060 W. 130th Street, Brunswick, OH 44212
800.221.2344, 330.220.5100
araymond_tinnerman_industrial@araymondtinnerman.com
www.araymondtinnerman.com

