

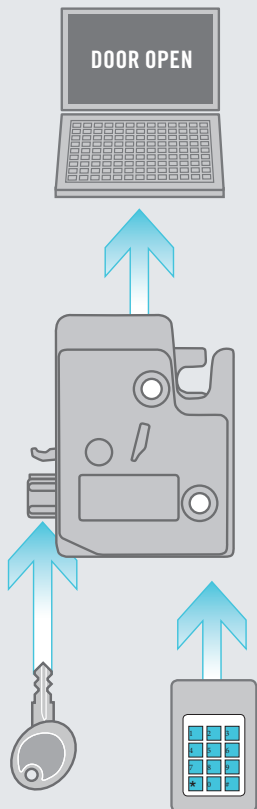


R4-EM 8 Series Electromechanical Rotary Lock

Electronic access

- Push-to-close, electronic release
- Minimal power draw
- Integrated connector
- Extended housing option for added security
- Optional door sensor
- Mechanical over-ride with integrated cable bracket
- Efficient DC motor actuation
- Simple two-hole installation

The R4-EM 8 Series offers an economical electromechanical lock for integration into applications with existing control and monitoring systems. Available in standard and extended lengths to accommodate door positioning sensor and added cam protection. An internal sensor provides an output signal to remotely monitor lock status. With high working and ultimate loads, the R4-EM 8 Series ensures reliable, vandal-resistant operation across a wide variety of applications.



To request a quote,
please email
releases@dbroberts.com,
or call us at 800-773-5388.



R4-EM 8 Series Electromechanical Rotary Lock

Electronic access

Material & Finish

- Top Housing: Nylon
- Gearbox Cover: PC/ABS
- Bottom Housing, Pivot Pins, Screws: Steel, Zinc plated
- Cam, Trigger: Steel, coated
- Gears: Acetal
- Pin, Springs: Stainless Steel

Electrical Specifications

Recommended Operating Voltage:

12 V Models: 8 to 14 VDC

24 V Models: 21 to 26 VDC

Typical Operating Current:

12 V Models: Less than 200mA

24 V Models: Less than 100mA

Latch status switch: 1A MAX

Latch Connector

Pin Assignment

PIN 1: Power

PIN 2: Ground (-)

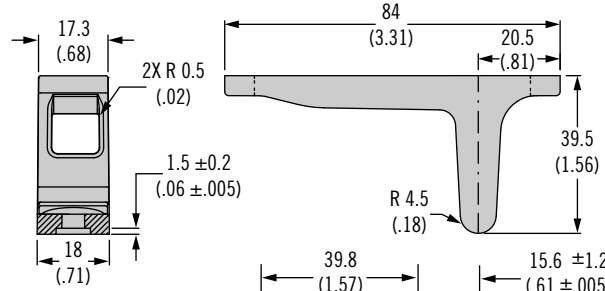
PIN 3: None

PIN 4: Latch status signal

Contact Southco for wire harness and mechanical release actuators and cables.

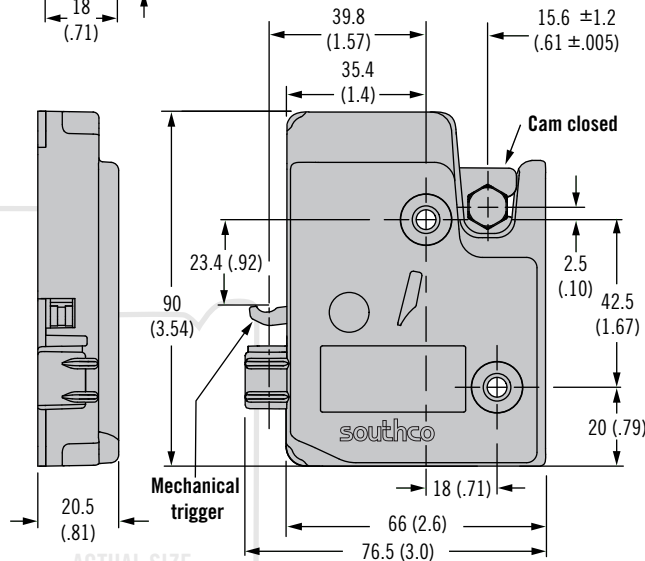
Strikers (order separately)	
Striker with door sensor magnet: R4-90-804-10	
Striker without door sensor magnet: R4-90-800-10	
Striker R4-90-121-10	

Front Mount Striker



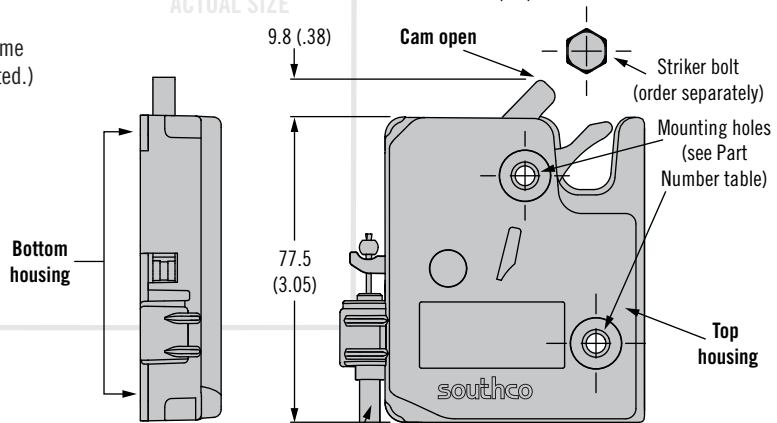
Extended Housing

This version is required when using door sensor.



Standard Housing

(Dimensions are the same as above, except as noted.)



Cable sold separately. See cable drawing (J-AC-C cable and conduit options 4 or 5)

Part Number Selection

R4 - EM - 8 **B** **A** - **V** **S** **O** - **P**

B Base Mounting Style

- 1 1/4-20 thread
- 2 M6 thread
- 3 Ø 7.0 (.27) thru hole

A Housing Configurations

- None Standard housing
- 6 Extended housing

V Voltage

- 2 24 volts
- 3 12 volts

P Packaging Options

- None Individually packaged
- 1 Bulk packaged

S Integrated Door Sensor

- 3 No
- 4 Yes (Extended housing only)

Dimensions in millimeters (inch) unless otherwise stated

To request a quote,
please email
releases@dbroberts.com,
or call us at 800-773-5388.