

R4 Rotary Latch

Mini · Concealed · Single and two stage

- Single or multi-point latch capability
- Compatible with wide array of actuators
- EN 45545-3 E60 Compliant
- For standard version only

Material and Finish

Steel, zinc plated or 304 stainless steel, passivated

Performance Details

Average ultimate load:
4600 N (1100 lbf)

Installation Notes

See page 259

Accessories

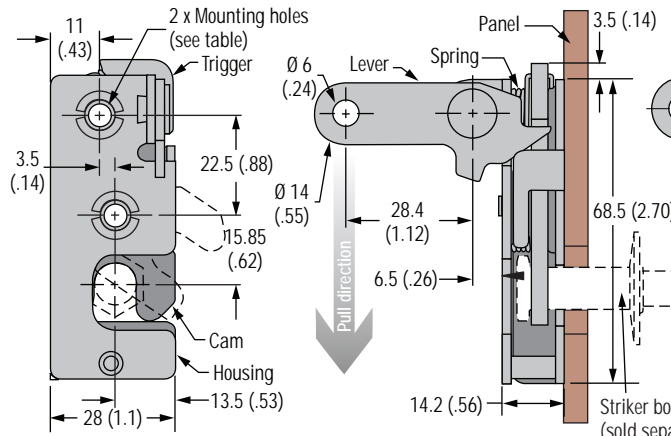
Striker bolt see page 259

Cables and retainer clips see pages 272-275

Notes

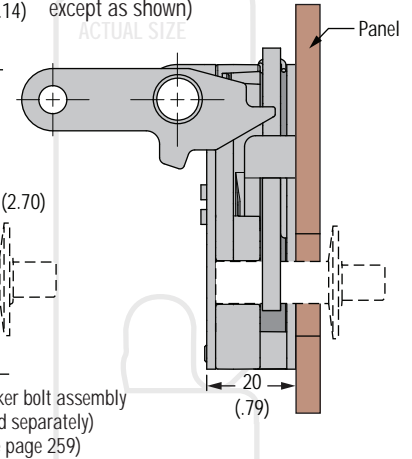
Electromechanical rotary latch available see page 23

Single Stage - Perpendicular (left hand actuation shown)

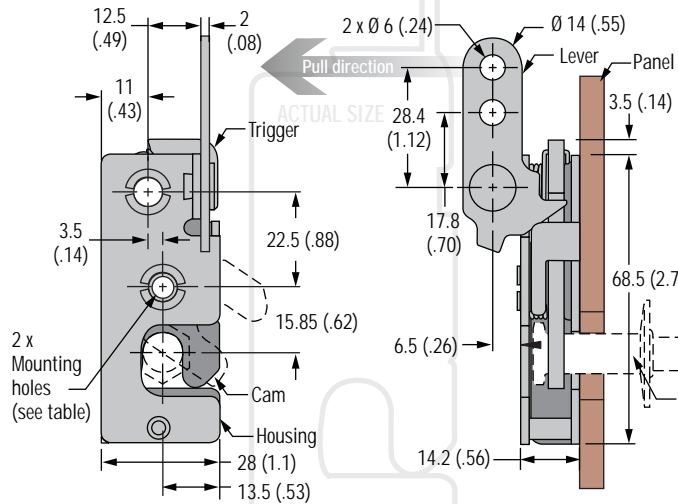


Integrated Bumper Version

(dimensions same as standard version except as shown)

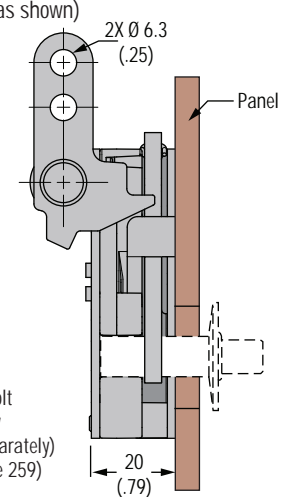


Single Stage - In-Line (left hand actuation shown)

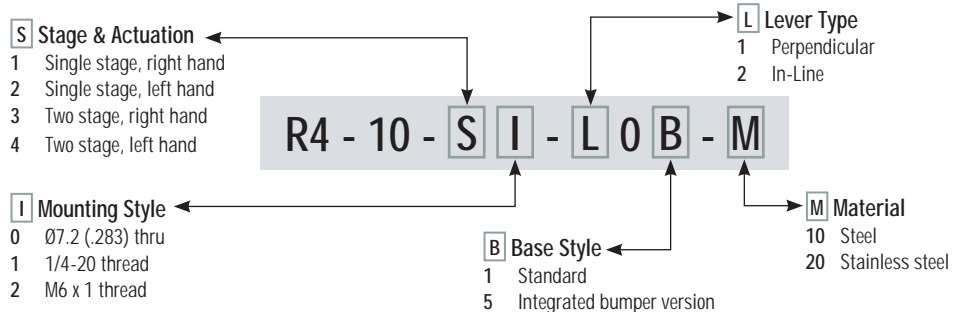


Integrated Bumper Version

(dimensions same standard version except as shown)



Part Number Selection



Dimensions in millimeters (inch) unless otherwise stated

