



# E6 Hinge

Position control · Constant torque · Heavy Duty

- Holds in every position
- No adjustment required
- Long cycle life

### Material and Finish

Aluminum alloy, black powder coated

### Performance Details

Cycle performance: 20,000 cycles within  $\pm 20\%$  of static torque specification

### Radial load:

Max. static load: 2,000 N (450 lbf)

Average ultimate load:

12,800 N (2,875 lbf)

### Axial load:

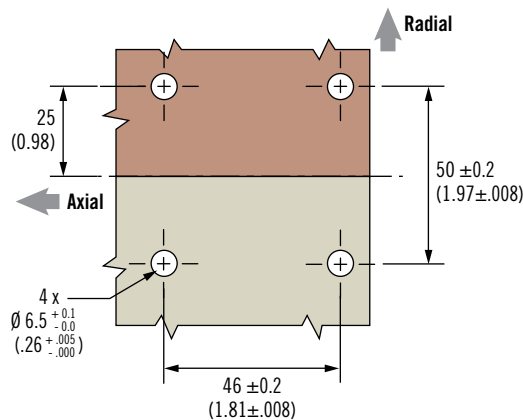
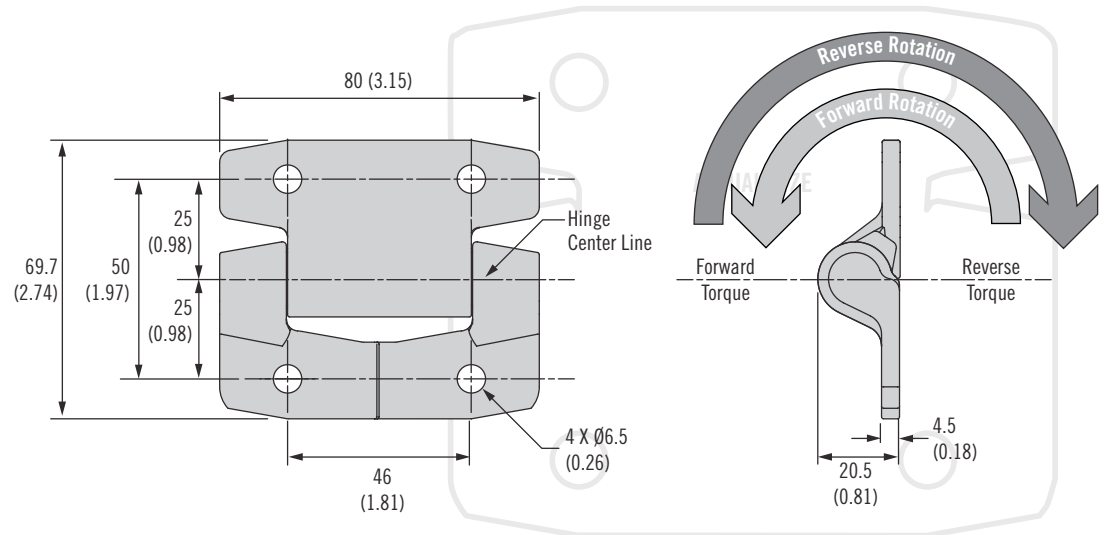
Max. static load: 500 N (110 lbf)

Average ultimate load:

10,800 N (2,425 lbf)

### Part Number

See table



### Asymmetric

Part Number	Forward Torque N·m (in·lbf)	Reverse Torque N·m (in·lbf)
E6-10-620F-50	2.3 (20.0)	1.7 (14.9)
E6-10-635F-50	3.9 (35.0)	3.0 (26.7)
E6-10-650F-50	5.7 (50.0)	4.0 (35.7)
E6-10-665F-50	7.3 (65.0)	5.4 (47.5)
E6-10-680F-50	9.0 (80.0)	6.7 (59.4)
E6-10-695F-50	10.7 (95.0)	7.8 (68.9)
E6-10-6110F-50	12.4 (110.0)	9.0 (79.8)
E6-10-620R-50	1.7 (14.9)	2.3 (20.0)
E6-10-635R-50	3.0 (26.7)	3.9 (35.0)
E6-10-650R-50	4.0 (35.7)	5.7 (50.0)
E6-10-665R-50	5.4 (47.5)	7.3 (65.0)
E6-10-680R-50	6.7 (59.4)	9.0 (80.0)
E6-10-695R-50	7.8 (68.9)	10.7 (95.0)
E6-10-6110R-50	9.0 (79.8)	12.4 (110.0)

### Symmetric

Part Number	Symmetric Torque N·m (in·lbf)
E6-10-620S-50	2.3 (20.0)
E6-10-635S-50	3.9 (35.0)
E6-10-650S-50	5.7 (50.0)
E6-10-665S-50	7.3 (65.0)
E6-10-680S-50	9.0 (80.0)

Dimensions in millimeters (inch) unless otherwise stated

Global Corporate Headquarters and Americas Customer Service & Technical Support Center  
Concordville, PA – USA · Tel: (1) 610-459-4000 · Fax: (1) 610-459-4012

**southco**  
CONNECT · CREATE · INNOVATE



[www.southco.com/E6](http://www.southco.com/E6)

© Southco E6 844NA 03-13

To request a quote, please email  
[releases@dbroberts.com](mailto:releases@dbroberts.com),  
or call us at 800-773-5388.

Other options available. For complete details  
on variety, part numbers, installation and  
specification, go to